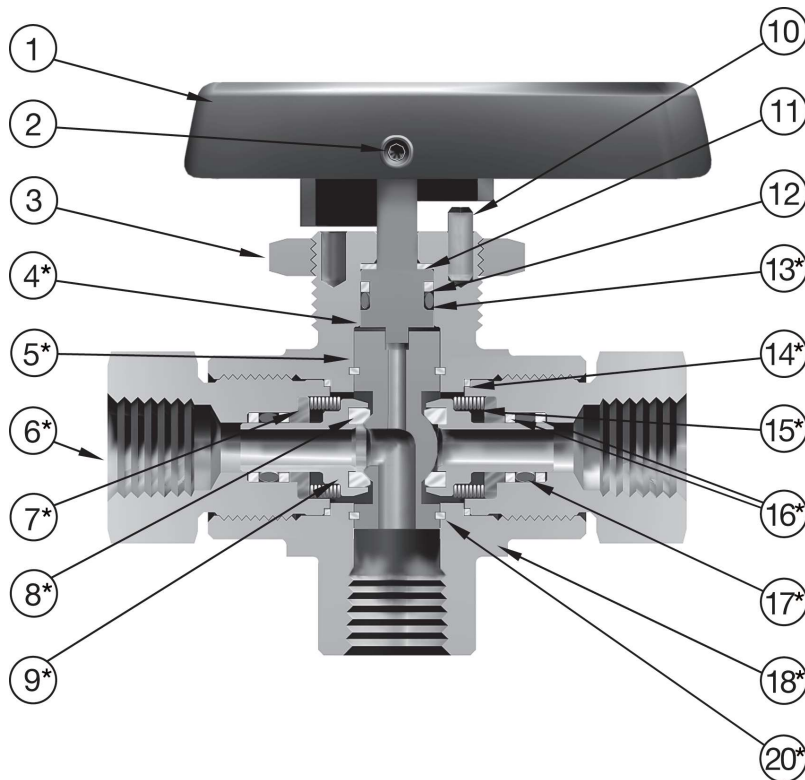


## Materials of Construction



HB

| No. | Part Description                | 6,000 psi (414 bar)   | 10,000 psi (689 bar)  |
|-----|---------------------------------|-----------------------|-----------------------|
| 1   | Handle/insert                   | Nylon 6/6/316 SS      | Nylon 6/6/316 SS      |
| 2   | Handle screw                    | Stainless steel       | Stainless steel       |
| 3   | Panel nut                       | 316 Stainless steel   | 316 Stainless steel   |
| 4*  | Stem                            | ASTM A 479 Type 316   | ASTM A 479 Type 316   |
| 5*  | Ball trunnion                   | ASTM A 479 Type 316   | ASTM A 479 Type 316   |
| 6*  | Port end connector              | ASTM A 479 Type 316   | ASTM A 479 Type 316   |
| 7*  | Spring washer                   | ASTM A 479 Type 316   | ASTM A 479 Type 316   |
| 8*  | Seat                            | PCTFE                 | PEEK                  |
| 9*  | Seat retainer                   | ASTM A 276 Type 316   | ASTM A 276 Type 316   |
| 10  | Handle stop pins                | 302 Stainless steel   | 302 Stainless steel   |
| 11  | Stem washer                     | PEEK                  | PEEK                  |
| 12  | Stem O-ring back-up             | PTFE                  | PTFE                  |
| 13* | Stem O-ring                     | Fluorocarbon rubber** | Fluorocarbon rubber** |
| 14* | Connector end seal              | PEEK                  | PEEK                  |
| 15* | Spring                          | ASTM A 313 Type 631   | ASTM A 313 Type 631   |
| 16* | Seat retainer O-ring back-up    | PTFE                  | PTFE                  |
| 17* | Seat retainer O-ring            | Fluorocarbon rubber** | Fluorocarbon rubber** |
| 18* | Valve body                      | ASTM A 276 Type 316   | ASTM A 276 Type 316   |
| 19* | Pipe plug (Not shown/HB4L only) | 316 Stainless steel   | 316 Stainless steel   |
| 20* | Trunnion bearing                | PEEK                  | PEEK                  |

\* Wetted parts

\*\* Optional elastomer seals available

Lubrication: Perfluorinated polyether