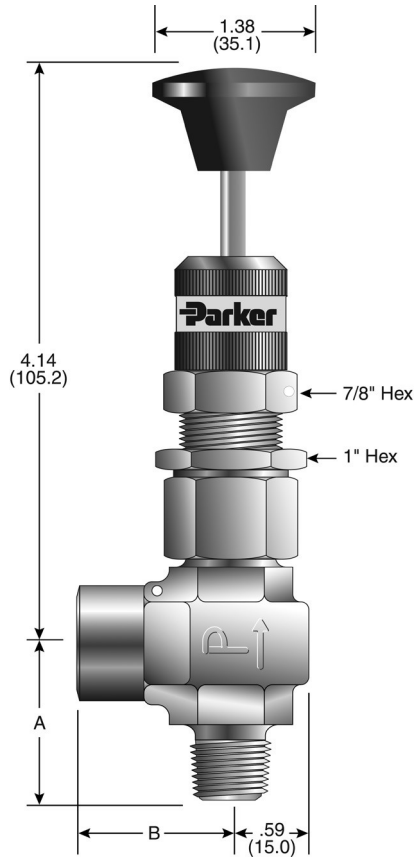
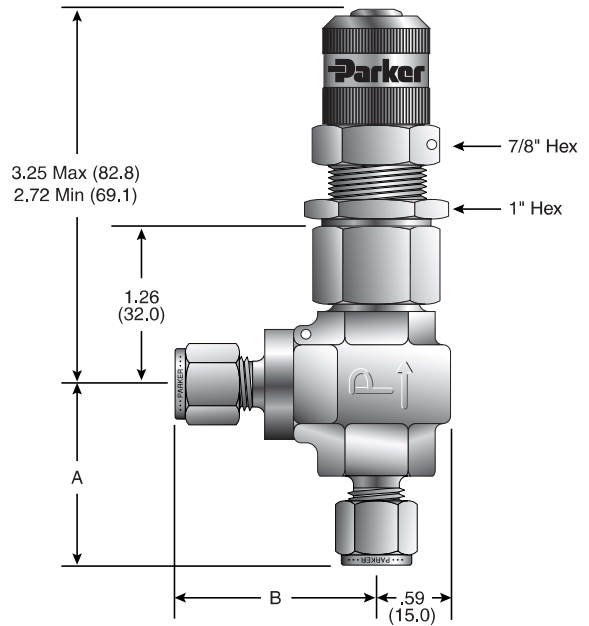


Dimensions / Flow Data



Model Shown:
4M4F-RH4A-VT-SS-MN



Model Shown:
4A-RH4A-BNT-SS

Dimensions in inches (millimeters) are for reference only, subject to change.

Basic Part Number	End Connections (Inlet) Port 1	Flow Data				Dimensions †				Options			
		Orifice		C_v	X_T^*	A		B		Seal Material	Actuation		
		Inch	mm			inch	mm	inch	mm				
4A-RH4A-VT-SS	1/4" A-LOK® Compression	0.14	3.6	0.41	0.67	1.44	36.6	1.60	40.6	BN	Nitrile Rubber	MN	Manual Override
4Z-RH4A-VT-SS	1/4" CPI™ Compression					1.44	36.6	1.60	40.6				
4M4A-RH4A-VT-SS	1/4" Male NPT					1.19	30.2	1.60	40.6	EPR	Ethylene Propylene Rubber		
4M4Z-RH4A-VT-SS	1/4" Male NPT					1.19	30.2	1.60	40.6				
4M4F-RH4A-VT-SS	1/4" Male NPT					1.19	30.2	1.17	29.7	NE	Neoprene Rubber		
4KF-RH4A-VT-SS	1/4" Female BSP/ISO Tapered					1.19	30.2	1.17	29.7				
4KM-RH4A-VT-SS	1/4" Male BSP/ISO Tapered					1.19	30.2	1.17	29.7	KZ	Highly Fluorinated Fluorocarbon Rubber		
M6A-RH4A-VT-SS	6mm A-LOK® Compression					1.44	36.6	1.60	40.6				
M6Z-RH4A-VT-SS	6mm CPI™ Compression					1.44	36.6	1.60	40.6				
M8A-RH4A-VT-SS	8mm A-LOK® Compression					1.44	36.6	1.60	40.6				
M8Z-RH4A-VT-SS	8mm CPI™ Compression					1.44	36.6	1.60	40.6				

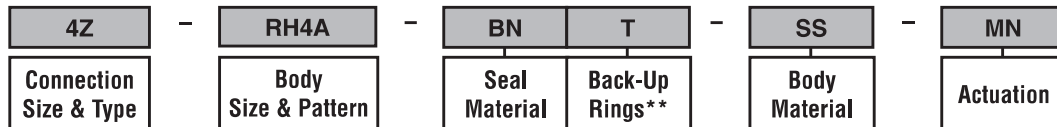
* Tested in accordance with ISA S75.02. Gas flow will be choked when $P_1 - P_2 / P_1 = X_T$.

†For CPI™ and A-LOK®: Dimensions are measured with nuts in the finger tight position.

How to Order

The part number sequence identifies product characteristics as shown in the example below.

Example: 4Z-RH4A-BNT-SS-MN Describes an RH4A Series externally adjustable relief valve equipped with 1/4" CPI™ compression inlet and outlet ports on a 1/4" angle pattern body, Nitrile seals, PTFE back-up ring, stainless steel construction and Manual Override.



Spring Kits

Kit Part Number	Cracking Pressure Range (psig)	Cracking Pressure Range (bar)	Color Code
KIT-RH4SP-50-350	50-350	3.4-24.1	Gray
KIT-RH4SP-350-750	350-750	24.1-51.7	Red
KIT-RH4SP-750-1500	750-1500	51.7-103.4	Orange
KIT-RH4SP-1500-2250	1500-2250	103.4-155.1	Yellow
KIT-RH4SP-2250-3000	2250-3000	155.1-206.8	Light Green
KIT-RH4SP-3000-4000	3000-4000	206.8-275.8	Light Blue
KIT-RH4SP-4000-5000	4000-5000	275.8-344.7	Violet
KIT-RH4SP-5000-6000	5000-6000	344.7-413.7	Lemon Yellow



Spring Kit Contains:

- Spring
- Coded label
- PTFE washers
- Locking wire / lead seal
- Installation Instructions

RH4

Seal Kits

Kit Part Number	Kit Part Number (Manual Override Option)	Seat/Seal Material
KIT-RH4-SLEEVE-VT-SS	KIT-RH4-SLEEVE-MN-VT-SS	Fluorocarbon Rubber
KIT-RH4-SLEEVE-BNT-SS	KIT-RH4-SLEEVE-MN-BNT-SS	Nitrile Rubber
KIT-RH4-SLEEVE-EPRT-SS	KIT-RH4-SLEEVE-MN-EPRT-SS	Ethylene Propylene Rubber
KIT-RH4-SLEEVE-NET-SS	KIT-RH4-SLEEVE-MN-NET-SS	Neoprene Rubber
KIT-RH4-SLEEVE-KZT-SS	KIT-RH4-SLEEVE-MN-KZT-SS	Highly Fluorinated Fluorocarbon Rubber

Seal Kit Contains:

- Stem Cartridge
- Seat
- Maintenance Instructions

