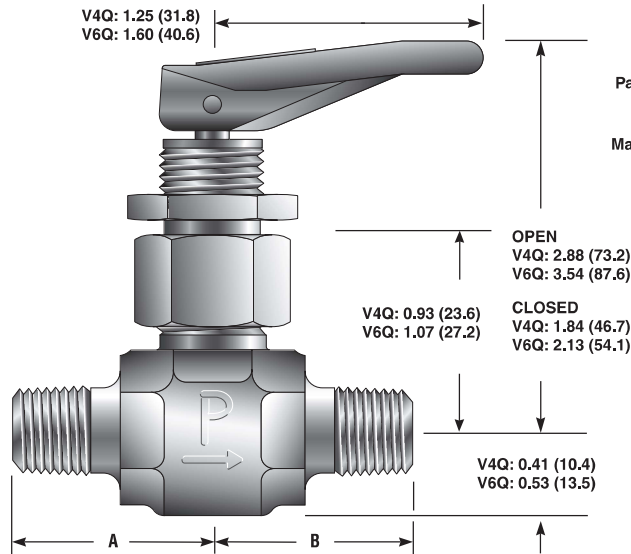
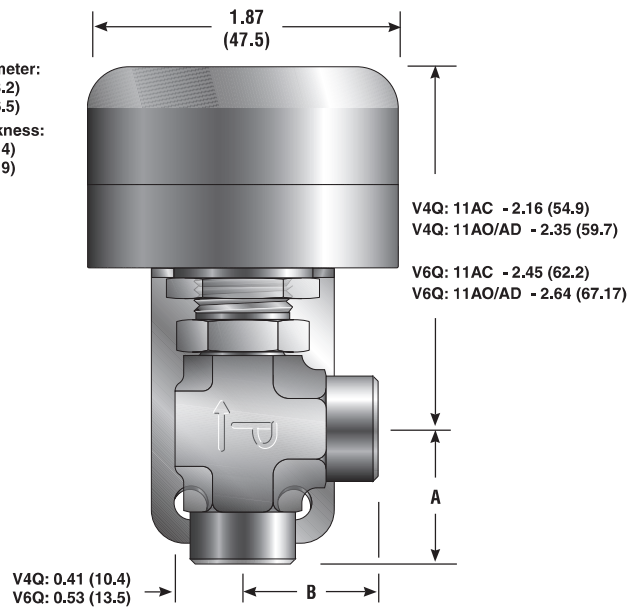


## Dimensions / Flow Data



Panel Hole Diameter:  
V4Q: 0.52 (13.2)  
V6Q: 0.65 (16.5)  
Max. Panel Thickness:  
V4Q: 0.25 (6.4)  
V6Q: 0.35 (8.9)



Model Shown: 4M-V4LQ-SSP

Model Shown: 4F-V6AQ-11AO-B

( ) Denotes dimensions in millimeters

## Dimensions / Flow Data

Basic Part Number	End Connections		Flow Data				Dimensions	Additional Options			
	Inlet (Port 1)	Outlet (Port 2)	Orifice		$C_V$	$X_T^*$	A† and B†	Stem Tip	Stem Seal	Actuation	Body Material
			Inch	mm			Inch (mm)				
2A-V4LQ-SSP	1/8" Compression A-LOK®		0.078	2.0	0.14	0.52	1.10	K = PCTFE	BN = Nitrile Rubber	11AC = Normally Closed	BP = Brass with Panel Nut
2A-V4AQ-SSP					0.15	0.50	(27.9)				
2F-V4LQ-SSP	1/8" Female NPT		0.176	4.5	0.36	0.71	0.8		EPR = Ethylene Propylene Rubber	11AO = Normally Opened	
2F-V4AQ-SSP					0.49	0.64	(20.6)				
2M-V4LQ-SSP	1/8" Male NPT		0.125	3.2	0.30	0.50	0.81				
2M-V4AQ-SSP					0.35	0.55	(20.6)				
2Z-V4LQ-SSP	1/8" Compression CPI™		0.078	2.0	0.14	0.52	1.10				
2Z-V4AQ-SSP					0.15	0.50	(27.9)				
4A-V4LQ-SSP	1/4" Compression A-LOK®		0.176	4.5	0.36	0.71	1.15		KZ = Highly Fluorinated Fluorocarbon Rubber	11AD = Double Acting	
4A-V4AQ-SSP					0.49	0.64	(29.2)				
4M-V4LQ-SSP	1/4" Male NPT		0.176	4.5	0.36	0.71	0.94				
4M-V4AQ-SSP					0.49	0.64	(23.9)				
4Z-V4LQ-SSP	1/4" Compression CPI™		0.176	4.5	0.36	0.71	1.15				
4Z-V4AQ-SSP					0.49	0.64	(29.2)				
M6A-V4LQ-SSP	6mm Compression A-LOK®		0.176	4.5	0.36	0.71	1.13				
M6A-V4AQ-SSP					0.49	0.64	(28.7)				
M6Z-V4LQ-SSP	6mm Compression CPI™		0.176	4.5	0.36	0.71	1.13				
M6Z-V4AQ-SSP					0.49	0.64	(28.7)				
M8A-V4LQ-SSP	8mm Compression A-LOK®		0.176	4.5	0.36	0.71	1.13				
M8A-V4AQ-SSP					0.49	0.64	(28.7)				
M8Z-V4LQ-SSP	8mm Compression CPI™		0.176	4.5	0.36	0.71	1.13				
M8Z-V4AQ-SSP					0.49	0.64	(28.7)				

\* Tested in accordance with ISA S75.02. Gas flow will be choked when  $P_1 - P_2 / P_1 = X_T$ .

† For CPI™ and A-LOK®, dimensions are measured with nuts in the finger tight position.

Dimensions in inches/millimeters are for reference only, subject to change.

## Dimensions / Flow Data

Basic Part Number	End Connections		Flow Data				Dimensions	Additional Options			
	Inlet (Port 1)	Outlet (Port 2)	Orifice		$C_v$	$X_T^*$	A† and B†	Stem Tip	Stem Seal	Actuation	Body Material
			Inch	mm			Inch (mm)				
4F-V6LQ-SSP	1/4" Female NPT		0.250	6.4	0.83	0.70	1.00 (25.4)	K = PCTFE	BN = Nitrile Rubber	11AC = Normally Closed	BP = Brass with Panel Nut
4F-V6AQ-SSP					0.92	0.68					
6A-V6LQ-SSP	3/8" Compression A-LOK®		0.250	6.4	0.83	0.70	1.29 (32.8)				
6A-V6AQ-SSP					0.92	0.68					
6Z-V6LQ-SSP	3/8" Compression CPI™		0.250	6.4	0.83	0.70	1.29 (32.8)				
6Z-V6AQ-SSP					0.92	0.68					
8A-V6LQ-SSP	1/2" Compression A-LOK®		0.250	6.4	0.83	0.70	1.37 (34.8)				
8A-V6AQ-SSP					0.92	0.68					
8Z-V6LQ-SSP	1/2" Compression CPI™		0.250	6.4	0.83	0.70	1.37 (34.8)				
8Z-V6AQ-SSP					0.92	0.68					
M10A-V6LQ-SSP	10mm Compression A-LOK®		0.250	6.4	0.83	0.70	1.30 (33.0)				
M10A-V6AQ-SSP					0.92	0.68					
M10Z-V6LQ-SSP	10mm Compression CPI™		0.250	6.4	0.83	0.70	1.30 (33.0)				
M10Z-V6AQ-SSP					0.92	0.68					

\* Tested in accordance with ISA S75.02. Gas flow will be choked when  $P_2 - P_1 / P_1 = X_T$ .  
 † For CPI™ and A-LOK®, dimensions are measured with nuts in the finger tight position.

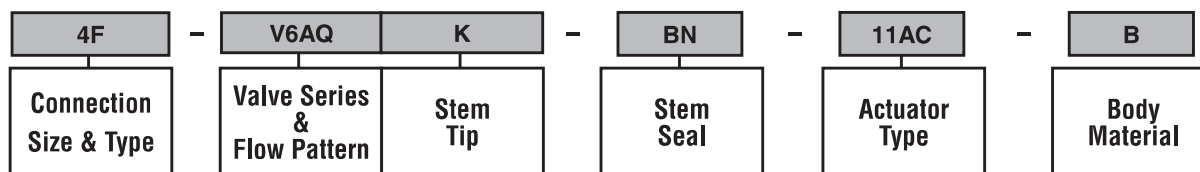
Dimensions in inches/millimeters are for reference only, subject to change.

VQ

## How to Order Toggle Valves

The part number sequence identifies product characteristics as shown in the example below.

**Example : 4F-V6AQK-BN-11AC-B** describes a V6Q Series pneumatically actuated (normally closed) angle pattern valve equipped with 1/4" Female NPT inlet and outlet ports, PCTFE Stem Tip, Nitrile Stem Seal, Brass construction with a mounting bracket.



**Oxygen Cleaning** – Add the suffix **-C3** to the end of the part number to receive valves cleaned in accordance with ASTM G93 level C, class 500. This ASTM details cleaning methods and cleanliness levels for materials and equipment used in oxygen-enriched environments. **Example:** 4A-V4AQ-EPR-SSP-C3

## How to Order Maintenance Kits

**Colored Nylon Handles with Handle Pin** – Options are BLUE, GREEN or RED. **Example:** V4Q-HANDLE-BLUE

**Handle Positioners** – Prevents handle from rotating. **Examples:** Q6-HANDLE-POSITIONER

**Anti Locking Handle** – **Example:** V4Q-HANDLE-BLACK-ALH

**Rubber Seal and Stem Kits** – **Example:** KIT-V6Q-BN