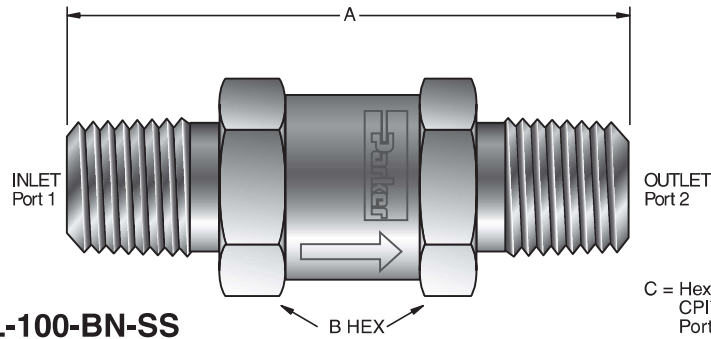


Dimensions



C = Hex Diameter of Nuts on CPI™ and A-LOK® Compression Ported Valves

Model shown: 4M-F4L-100-BN-SS

Dimensions in inches (millimeters) are for reference only, subject to change.

Basic Part Number	End Connections Inlet & Outlet Port	Dimensions						Micron Rating	Options			
		A†		B		C			Seal Material	Body Material		
		inch	mm	inch	mm	inch	mm					
2A-F2L-10-SS	1/8" A-LOK® Compression	2.29	58.2	.625	15.9	.438	11.1	1 micron 5 micron 50 micron 100 micron 250 micron 450 micron	BN	Nitrile Rubber	B	Brass
2F-F2L-10-SS	1/8" Female NPT	1.86	47.2	.625	15.9	-	-					
2KF-F2L-10-SS	1/8" Female BSP/ISO Tapered	1.86	47.2	.625	15.9	-	-					
2KM-F2L-10-SS	1/8" Male BSP/ISO Tapered	1.77	45.0	.625	15.9	-	-					
2M-F2L-10-SS	1/8" Male NPT	1.77	45.0	.625	15.9	-	-					
2Z-F2L-10-SS	1/8" CPI™ Compression	2.29	58.2	.625	15.9	.438	11.1					
M3A-F2L-10-SS	3mm A-LOK® Compression	2.30	58.4	.625	15.9	.472	12.0					
M3Z-F2L-10-SS	3mm CPI™ Compression	2.30	58.4	.625	15.9	.472	12.0					
4A-F4L-10-SS	1/4" A-LOK® Compression	2.42	61.5	.750	19.1	.563	14.3		NE	Neoprene Rubber		
4F-F4L-10-SS	1/4" Female NPT	2.40	61.0	.750	19.1	-	-					
4KF-F4L-10-SS	1/4" Female BSP/ISO Tapered	2.40	61.0	.750	19.1	-	-					
4KM-F4L-10-SS	1/4" Male BSP/ISO Tapered	2.18	55.4	.750	19.1	-	-					
4M-F4L-10-SS	1/4" Male NPT	2.18	55.4	.750	19.1	-	-					
4V-F4L-10-SS	1/4" VacuSeal	2.22	56.4	.750	19.1	-	-					
4TA-F4L-10-SS	1/4" Tube Adapter	2.35	59.7	.750	19.1	-	-		T**	PTFE		
4Z-F4L-10-SS	1/4" CPI™ Compression	2.42	61.5	.750	19.1	.563	14.3					
M6A-F4L-10-SS	6mm A-LOK® Compression	2.43	61.7	.750	19.1	.551	14.0					
M6Z-F4L-10-SS	6mm CPI™ Compression	2.43	61.7	.750	19.1	.551	14.0					
6A-F6L-10-SS	3/8" A-LOK® Compression	3.27	83.1	1.000	25.4	.688	17.5		KZ	Highly Fluorinated Fluorocarbon Rubber		
6F-F6L-10-SS	3/8" Female NPT	3.03	77.0	1.000	25.4	-	-					
6KF-F6L-10-SS	3/8" Female BSP/ISO Tapered	3.03	77.0	1.000	25.4	-	-					
6KM-F6L-10-SS	3/8" Male BSP/ISO Tapered	2.96	75.2	1.000	25.4	-	-					
6M-F6L-10-SS	3/8" Male NPT	2.96	75.2	1.000	25.4	-	-					
6V-F6L-10-SS	3/8" VacuSeal	3.56	90.4	1.000	25.4	-	-					
6Z-F6L-10-SS	3/8" CPI™ Compression	3.27	83.1	1.000	25.4	.688	17.5					
8A-F8L-10-SS	1/2" A-LOK® Compression	4.08	103.6	1.250	31.8	.875	22.2					
8F-F8L-10-SS	1/2" Female NPT	3.56	90.4	1.250	31.8	-	-					
8KF-F8L-10-SS	1/2" Female BSP/ISO Tapered	3.56	90.4	1.250	31.8	-	-					
8KM-F8L-10-SS	1/2" Male BSP/ISO Tapered	3.56	90.4	1.250	31.8	-	-					
8M-F8L-10-SS	1/2" Male NPT	3.56	90.4	1.250	31.8	-	-					
8V-F8L-10-SS	1/2" VacuSeal	3.56	90.4	1.250	31.8	-	-					
8Z-F8L-10-SS	1/2" CPI™ Compression	4.08	103.6	1.250	31.8	.875	22.2					
M12A-F8L-10-SS	12mm A-LOK® Compression	4.06	103.1	1.250	31.8	.866	22.0					
M12Z-F8L-10-SS	12mm CPI™ Compression	4.06	103.1	1.250	31.8	.866	22.0					
12A-F12L-10-SS	3/4" A-LOK® Compression	4.34	110.2	1.375	34.9	1.125	28.6					
12F-F12L-10-SS	3/4" Female NPT	4.09	103.9	1.375	34.9	-	-					
12KF-F12L-10-SS	3/4" Female BSP/ISO Tapered	4.09	103.9	1.375	34.9	-	-					
12KM-F12L-10-SS	3/4" Male BSP/ISO Tapered	4.09	103.9	1.375	34.9	-	-					
12M-F12L-10-SS	3/4" Male NPT	4.09	103.9	1.375	34.9	-	-					
12V-F12L-10-SS	3/4" VacuSeal	4.64	117.9	1.375	34.9	-	-					
12Z-F12L-10-SS	3/4" CPI™ Compression	4.34	110.2	1.375	34.9	1.125	28.6					
M20A-F12L-10-SS	20mm A-LOK® Compression	4.32	109.7	1.375	34.9	1.260	32.0					
16A-F16L-10-SS	1" A-LOK® Compression	4.63	117.6	1.625	41.3	1.500	38.1					
16F-F16L-10-SS	1" Female NPT	4.84	122.9	1.625	41.3	-	-					
16KF-F16L-10-SS	1" Female BSP/ISO Tapered	4.84	122.9	1.625	41.3	-	-					
16KM-F16L-10-SS	1" Male BSP/ISO Tapered	4.52	114.8	1.625	41.3	-	-					
16M-F16L-10-SS	1" Male NPT	4.52	114.8	1.625	41.3	-	-					
16Z-F16L-10-SS	1" CPI™ Compression	4.63	117.6	1.625	41.3	1.500	38.1					
M25A-F16L-10-SS	25mm A-LOK® Compression	4.74	120.4	1.625	41.3	1.496	38.0					
M25Z-F16L-10-SS	25mm CPI™ Compression	4.74	120.4	1.625	41.3	1.496	38.0					

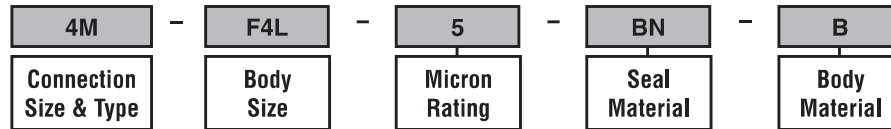
Note: Optional wire cloth filter elements may slightly alter dimensions A and B on filters with combination end connections.

†For CPI™ and A-Lok®. Dimensions are measured with nuts in the finger tight position.

How to Order

The part number sequence identifies product characteristics as shown in the example below.

Example: 4M-F4L-5-BN-B Describes a F Series Inline Filter with 1/4" male NPT inlet and outlet on a 1/4" in line body, 5 micron element, Nitrile seals and Brass body construction.



F

Oxygen Cleaning – Add the suffix **-C3** to the end of the part number to receive valves cleaned in accordance with ASTM G93 level C, class 500. This ASTM details cleaning methods and cleanliness levels for materials and equipment used in oxygen-enriched environments. **Example: 4M-F4L-5-BN-B-C3**

Kit Information

To order repair kits for the F Series Inline Filters simply fill in the designators from the chart below.

Size	Micron Rating	Seat Material
F2	1 micron	V Fluorocarbon Rubber
F4	5 micron	BN Nitrile Rubber
F6	10 micron	EPR Ethylene Propylene Rubber
F8	50 micron	NE Neoprene Rubber
F12	100 micron	T PTFE
F16	450 micron	KZ Highly Fluorinated Fluorocarbon

Examples: KIT-F8-10-V, KIT-F16-100-BN

Caution: When interchanging sintered metal elements with wire cloth filter elements, the flow direction is reversed.



Filter Kits Contain: Molded Seal, Filter Element, Guide Ring, Spring and Maintenance Instructions