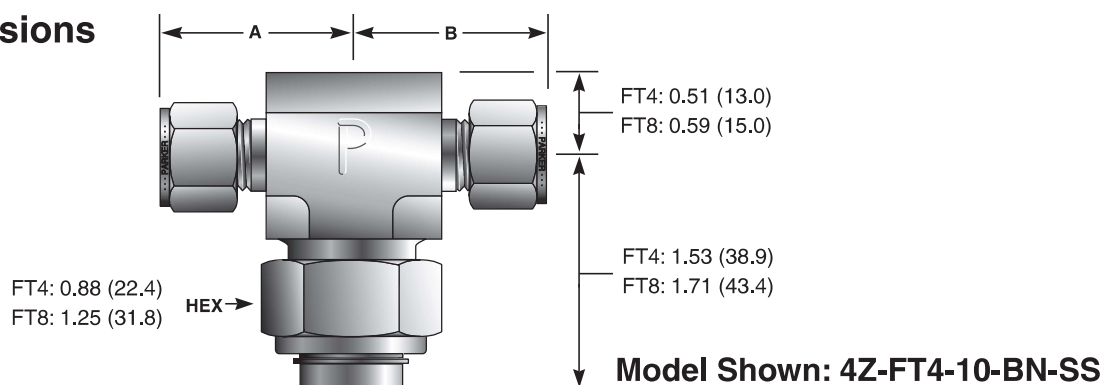


Dimensions



Dimensions in inches (millimeters) are for reference only, subject to change.

Basic Part Number	End Connections	Dimensions Inches (mm)	Options			
	Port 1 and Port 2	A† and B	Micron Rating	Seal Material	Body Material	
2A-FT4-10-SS	1/8" A-LOK®	1.14 (29.0)	1 micron 5 micron 50 micron 100 micron 250 micron 450 micron	BN Nitrile Rubber	B Brass	
2Z-FT4-10-SS	1/8" CPI™					
2F-FT4-10-SS	1/8" Female NPT	1.00 (25.4)		EPR Ethylene Propylene Rubber		
2M-FT4-10-SS	1/8" Male NPT	1.00 (25.4)				
4A-FT4-10-SS	1/4" A-LOK®	1.23 (31.2)		NE Neoprene Rubber		
4Z-FT4-10-SS	1/4" CPI™					
4F-FT4-10-SS	1/4" Female NPT	1.06 (26.9)				KZ Highly Fluorinated Fluorocarbon Rubber
4M-FT4-10-SS	1/4" Male NPT	1.09 (27.7)				
4V-FT4-10-SS	1/4" VacuSeal	1.20 (30.5)		HT Silver Plated Nickel Alloy C-Ring		
M6A-FT4-10-SS	6mm A-LOK®	1.23				
M6Z-FT4-10-SS	6mm CPI™	(31.2)	T PTFE			
6A-FT8-10-SS	3/8" A-LOK®	1.42				
6Z-FT8-10-SS	3/8" CPI™	(36.1)				
6M-FT8-10-SS	3/8" Male NPT	1.19 (30.2)				
8A-FT8-10-SS	1/2" A-LOK®	1.53 (38.9)				
8Z-FT8-10-SS	1/2" CPI™					
8F-FT8-10-SS	1/2" Female NPT	1.48 (37.6)				
8M-FT8-10-SS	1/2" Male NPT	1.38 (35.1)				
8V-FT8-10-SS	1/2" VacuSeal	1.33 (33.8)				
M8A-FT8-10-SS	8mm A-LOK®	1.44 (36.6)				
M8Z-FT8-10-SS	8mm CPI™					
M10A-FT8-10-SS	10mm A-LOK®	1.44 (36.6)				
M10Z-FT8-10-SS	10mm CPI™					
M12A-FT8-10-SS	12mm A-LOK®	1.54 (39.1)				
M12Z-FT8-10-SS	12mm CPI™					

†For CPI™ and A-Lok®: Dimensions are measured with nuts in the finger tight position.

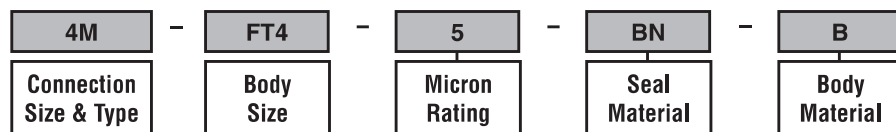
Maximum Pressure Differential Across Clean Filters at 70°F (21°C)

	1 micron	5 micron	10 micron	50 micron	100 micron	250 micron	450 micron
psig	2250	1950	1750	1150	1000	1000	1000
bar	155	134	120	79	69	69	69

How to Order

The part number sequence identifies product characteristics as shown in the example below.

Example: 4M-FT4-5-BN-B Describes a FT Series Filter with 1/4" male NPT inlet and outlet on a 1/4" in line body, 5 micron element, Nitrile seals and Brass body construction.



Options

Oxygen Cleaning – Add the suffix **-C3** to the end of the part number to receive valves cleaned in accordance with ASTM G93 level C, class 500. This ASTM details cleaning methods and cleanliness levels for materials and equipment used in oxygen-enriched environments. **Example: 4M-FT4-5-BN-B-C3**

Bypass – Add the suffix **-PB** to the end of the part number to receive a 1/8" –27 FNPT tapped Cap for sampling. **Example: 2M-FT4-5-V-SS-PB**

Integral Compression Ported Bypass Option – Add the suffix **-PBA** (A-LOK®) or **-PBZ** (CPI™) to the end of the part number to receive a 4Z/4A (FT4) or 6A/6Z (FT8) compression ported Cap. **Example: 2M-FT4-5-V-SS-PBZ**

Kit Information

To order repair kits for the FT Series Filters, simply fill in the designators from the chart below.

Size	Micron Rating	Seal Material
FT4	1 micron	V Fluorocarbon Rubber
FT8	5 micron	BN Nitrile Rubber
	10 micron	EPR Ethylene Propylene Rubber
	50 micron	NE Neoprene Rubber
	100 micron	KZ Highly Fluorinated Fluorocarbon
	250 micron	HT Silver PLated Nickel Alloy C-Ring
	450 micron	

Examples: KIT-FT4-10-V, KIT-FT8-100-BN

Filter Kits Contain: Seals, Filter Element, Spring and Maintenance Instructions.

Caution: When interchanging sintered metal elements with wire cloth filter elements, the flow direction is reversed.

FT