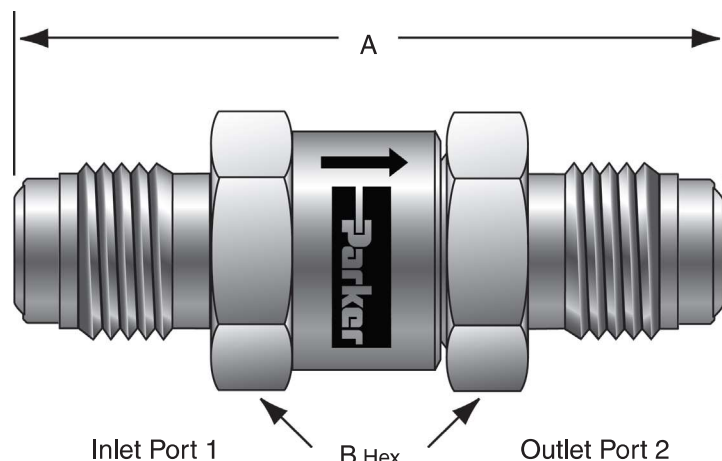


## Dimensions and Flow Data



C = Hex of nuts where applicable

### Model Shown: 4V-CO4L-5-KZ-SS

Dimensions in inches (millimeters) are for reference only, subject to change.

Basic Part Number	End Connections Inlet Port 1	Flow Data			Dimensions						Optional	
		Orifice		C <sub>v</sub>	A†		B		C		Crack Pressure	Seat/Seal Material
		Inch	mm		Inch	mm	Inch	mm	Inch	mm		
4A-CO4L-1-V-SS	1/4" A-LOK® Compression	.187	4.7	.62	2.38	60.7	.750	19.1	.563	14.3		
4F-CO4L-1-V-SS	1/4" Female NPT	.187	4.7	.62	2.38	60.5	.750	19.1	-	-		
4M-CO4L-1-V-SS	1/4" Male NPT	.187	4.7	.62	2.09	53.1	.750	19.1	-	-		
4V-CO4L-1-V-SS	1/4" VacuSeal	.187	4.7	.62	2.22	56.4	.750	19.1	-	-		
4Z-CO4L-1-V-SS	1/4" CPI™ Compression	.187	4.7	.62	2.39	60.7	.750	19.1	.563	14.3		
M6A-CO4L-1-V-SS	6mm A-LOK® Compression	.187	4.7	.62	2.41	61.2	.750	19.1	.551	14.0		
M6Z-CO4L-1-V-SS	6mm CPI™ Compression	.187	4.7	.62	2.41	61.2	.750	19.1	.551	14.0		
6A-CO6L-1-V-SS	3/8" A-LOK® Compression	.281	7.1	1.70	3.17	80.5	1.00	25.4	.688	17.5		
6F-CO6L-1-V-SS	3/8" Female NPT	.328	8.3	1.85	3.03	77.0	1.00	25.4	-	-		
6M-CO6L-1-V-SS	3/8" Male NPT	.328	8.3	1.85	2.78	70.6	1.00	25.4	-	-		
6Z-CO6L-1-V-SS	3/8" CPI™ Compression	.281	7.1	1.70	3.17	80.5	1.00	25.4	.688	17.5		
6V-CO6L-1-V-SS	3/8" VacuSeal	.328	8.3	1.85	3.57	90.7	1.00	25.4	-	-		
M8A-CO6L-1-V-SS	8mm A-LOK® Compression	.250	6.4	1.60	3.15	80.0	1.00	25.4	.630	16.0		
M8Z-CO6L-1-V-SS	8mm CPI™ Compression	.250	6.4	1.60	3.15	80.0	1.00	25.4	.630	16.0		
8A-CO8L-1-V-SS	1/2" A-LOK® Compression	.406	10.3	2.65	3.37	85.6	1.25	31.8	.875	22.2		
8F-CO8L-1-V-SS	1/2" Female NPT	.406	10.3	2.65	3.60	91.4	1.25	31.8	-	-		
8M-CO8L-1-V-SS	1/2" Male NPT	.406	10.3	2.65	3.16	80.3	1.25	31.8	-	-		
8V-CO8L-1-V-SS	1/2" VacuSeal	.406	10.3	2.65	3.56	90.4	1.25	31.8	-	-		
8Z-CO8L-1-V-SS	1/2" CPI™ Compression	.406	10.3	2.65	3.37	85.6	1.25	31.8	.875	22.2		
M12A-CO8L-1-V-SS	12mm A-LOK® Compression	.375	9.5	2.55	3.44	87.4	1.25	31.8	.866	22.0		
M12Z-CO8L-1-V-SS	12mm CPI™ Compression	.375	9.5	2.55	3.44	87.4	1.25	31.8	.866	22.0		

† For CPI™ and A-LOK®, dimensions are measured with nuts in the finger tight position.

## Label Color Cross Reference

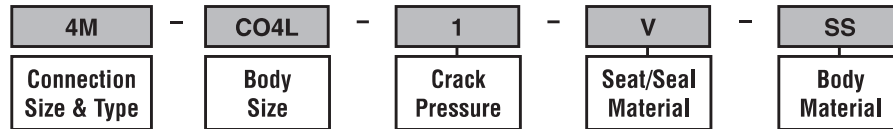
Label Color	Seal Material
Brown	Fluorocarbon Rubber
Black	Nitrile Rubber
Purple	Ethylene Propylene Rubber
Green	All others

**Testing:** All valves are 100% tested for crack, re-seal, and helium leakage.

## How to Order

The part number sequence identifies product characteristics as shown in the example below.

**Example: 4M-CO4L-1-V-SS** Describes a CO Series Check Valve with 1/4" male NPT inlet and outlet on a 1/4" in line body, 1 psig cracking pressure, fluorocarbon rubber seals, and stainless steel body construction.



CO

**Oxygen Cleaning** – Add the suffix **-C3** to the end of the part number to receive valves cleaned in accordance with ASTM G93 level C, class 500. This ASTM details cleaning methods and cleanliness levels for materials and equipment used in oxygen-enriched environments. **Example: 4M-CO4L-1-V-SS-C3**